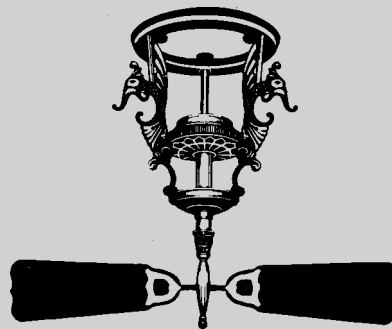




SINCE

1886

Installation and Operation Manual For Hunter Ceiling Fans





CONGRATULATIONS!

Your new Hunter ceiling fan is an addition to your home or office that will provide comfort and performance for many years. This manual gives you complete instructions for installing and operating your fan.

We are proud of our work. We appreciate the opportunity to supply you with the best ceiling fan available anywhere in the world.

Before installing your fan, record the following information for your records and warranty assistance. Please refer to the carton and the Hunter nameplate (located on top outside fan motor housing) for the proper information.

Model Name _____

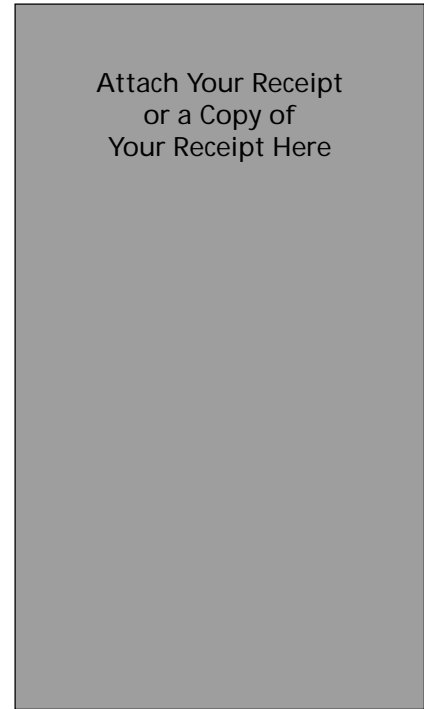
Catalog No. _____

Serial No. _____

Date Purchased _____

Where Purchased _____

Please attach your Hardware Sheet and Exploded View Sheet to this manual for future reference.





CONTENTS

Important Information	5
Step 1 - Getting Ready	6
Step 2 - Installing the Ceiling Plate	8
Step 3 - Assembling Pipe/Ball Assembly	10
Step 4 - Assembling the Fan	12
Step 5 - Hanging the Fan	14
Step 6 - Installing the Remote	15
Step 7 - Wiring the Fan	18
Step 8 - Attaching the Canopy	20
Step 9 - Assembling Fan Blades	21
Step 10 - Attaching the Switch Housing	23
Step 11 - Installing Light Fixture	26
Operating Your Hunter Fan and Remote	30
Cleaning and Maintenance	32
Troubleshooting	33



IMPORTANT INFORMATION

⚠ CAUTIONS

- Read entire booklet carefully before beginning installation and save these instructions.
- To reduce the risk of personal injury, attach the fan directly to the support structure of the building according to these instructions, and use only the hardware supplied.

⚠ WARNINGS

- To avoid possible electrical shock, before installing your fan, disconnect the power by turning off the circuit breakers to the outlet box and associated wall switch location. If you can-

not lock the circuit breakers in the off position, securely fasten a prominent warning device, such as a tag, to the service panel.

- All wiring must be in accordance with national and local electrical codes and ANSI/NFPA 70. If you are unfamiliar with wiring, you should use a qualified electrician.
- To reduce the risk of personal injury, do not bend the blade attachment system when installing, balancing, or cleaning the fan. Never insert foreign objects between rotating fan blades.

- To reduce the risk of fire, electrical shock, or motor damage, do not use a solid-state speed control with this fan. Use only Hunter speed controls.

DO YOU NEED HELP?

To install a ceiling fan, be sure you can do the following:

- Locate ceiling joist or other suitable support in ceiling.
- Drill holes for and install wood screws.
- Identify and connect electrical wires.
- Lift 40 pounds.

If you need help installing the fan, your Hunter fan dealer can direct you to a licensed installer or electrician.



STEP 1 - GETTING READY

GATHERING THE TOOLS

You will need the following tools for installing the fan:

- Electric drill with 9/64" bit
- Standard screwdriver
- Phillips-head screwdriver
- Wrench or pliers

OPTIONAL ACCESSORIES

Consider using Hunter's optional accessories, including a wall-mounted or remote speed control. To install and use the accessories, follow the instructions included with each product.

For quiet and optimum performance of your Hunter fan, use only Hunter speed controls.

PREPARING THE FAN SITE

The location of a ceiling fan and how the fan is attached to the building structure are essential for reliable operation, maximum efficiency, and energy savings. For this reason, we have included a separate booklet — "Guide to Choosing and Preparing a Ceiling Fan Site" — to help you select the best location for your fan. The booklet also provides information to ensure your fan support and electric outlet box meet UL-approved safety codes for ceiling fans.

The instructions in this installation manual assume that you have used "Guide to Choosing and Preparing a Ceiling Fan Site" to pick the fan location and make certain the proper fan support and outlet box are installed.

CHECKING YOUR FAN PARTS

Carefully unpack your fan to avoid damage to the fan parts. Check for any shipping damage to the motor or fan blades. If one of the fan blades was damaged in shipment, return all the blades for replacement.

Hint: If you are installing more than one fan, keep the fan blades in sets, as they were shipped.

The fan includes a separate diagram of the screws and other small parts needed for the fan. Keep this diagram handy for identifying parts during installation; the diagram indicates the step in which each part is used.

If any parts are missing or damaged, contact your Hunter dealer or call Hunter Parts Department at 901-248-2222.

INSTALLER'S CHOICE®

This patented 3-position mounting system provides you maximum installation flexibility and ease. You can install your Hunter fan in one of three ways. The steps in this manual include specific instructions for the fan mounting method of your choice. For a ceiling 8 feet or higher, standard mounting is recommended.

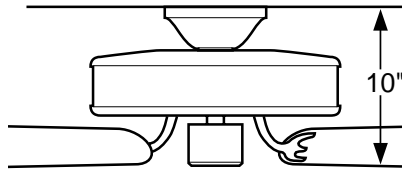


Figure 1a - Flush Mounting

Flush Mounting (Figure 1a) fits close to the ceiling, for low ceilings less than 8 feet high.

Standard Mounting (Figure 1b) hangs from the ceiling by a connector pipe (included), for ceilings 8 feet or higher. For ceilings higher than eight feet, you can purchase Hunter extension rods. All Hunter fans use sturdy 3/4" diameter pipe to assure stability and wobble-free performance.

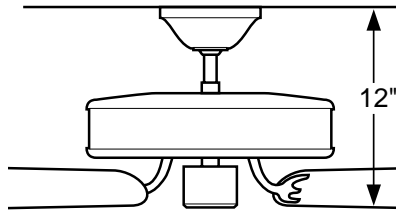


Figure 1b - Standard Mounting

Angle Mounting (Figure 1c) hangs from a vaulted or angled ceiling.

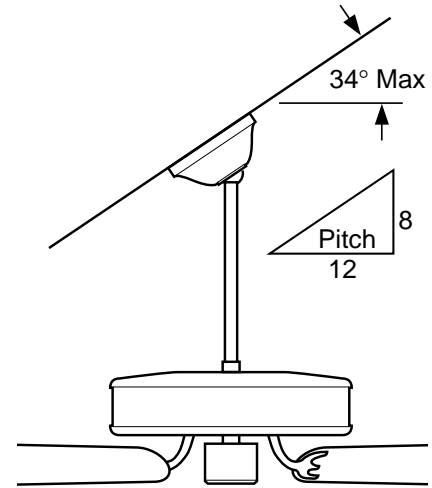


Figure 1c - Angle Mounting



STEP 2 - INSTALLING THE CEILING PLATE

1. Drill two pilot holes into the wood support structure through the outermost holes on the outlet box. The pilot holes should be $9/64$ " in diameter by $2\ 3/4$ " in depth.
2. Bring the lead wires around the sides of the ceiling plate. Threading the lead wires through the hole in the middle may cause problems when installing the remote and trying to close the canopy.
3. Your fan comes with two neoprene noise isolators. Position the isolators between the ceiling plate and ceiling by inserting the raised areas on each isolator into the holes in the ceiling plate. Refer to Figure 2a.
4. Align the slotted holes in the ceiling plate with the pilot holes in the wood support structure.
Note: The isolation pads should be flush against the ceiling.

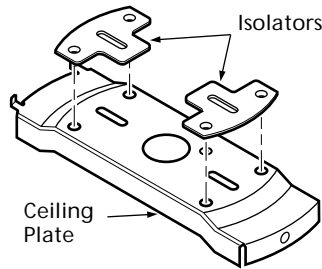


Figure 2a - Adding Isolators to Ceiling Plate

For Angle Mounting Only: Be sure to orient the ceiling plate so that the two hooks point up towards the ceiling peak as shown in Figure 2b. **Note:** You will use the hooks to support the fan while wiring the fan.

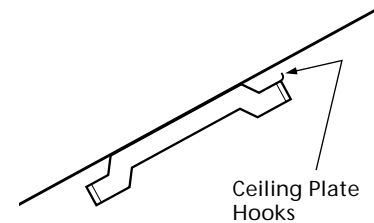


Figure 2b - Correct Position of Ceiling Plate for Angle Mounting

5. Place a flat washer on each of the two 3" screws and pass the screws through the slotted holes in the ceiling plate as shown in Figure 2c.
6. Tighten the screws into the 9/64" pilot holes; do not use lubricants on the screws. Do not over-tighten.

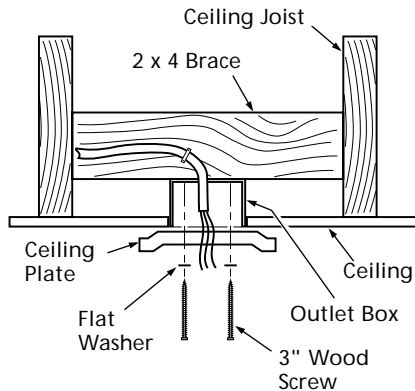


Figure 2c - Attaching Ceiling Plate to 2 x 4 Brace



STEP 3 - ASSEMBLING PIPE/BALL ASSEMBLY

As discussed in STEP 1 - GETTING READY, your Hunter fan can be installed in a standard mounting position.

Included with the fan are two pipes: one 3" long pipe/ball assembly for standard mounting on 8' ceilings and one 12" long pipe for 9' ceilings and higher. See Figure 3a.

If you are going to install the fan using the standard mounting, go to STEP 4 - ASSEMBLING THE FAN.

If you are going to install the fan using the 12" long pipe for 9' ceilings or higher, complete the steps below.

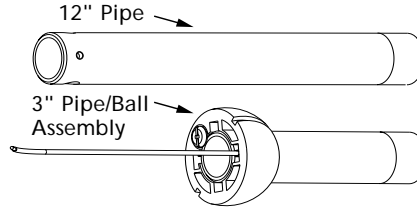


Figure 3a - Pipes

REMOVING BALL ASSEMBLY

For the following steps refer to Figures 3b and 3c.

1. Locate the 3" pipe/ball assembly.
2. Remove the positioning screw from the top of the ball.

NOTE: The ball will become loose and should slide down the pipe.

3. Remove the ball from the pipe.
4. Remove the pin from the pipe.

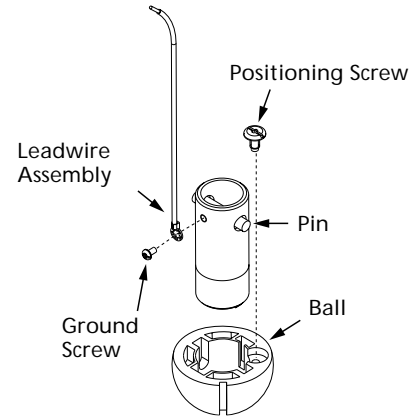


Figure 3b - Removing ball assembly

continued

41457-01 7/2000

5. Carefully loosen and remove the ground screw/leadwire assembly from the pipe.
6. Locate the 12" pipe.
7. Insert and tighten the ground screw/leadwire assembly into the small screw hole on one end of the 12" pipe.
8. Insert the pin into the two holes in the 12" pipe so that the pin is placed evenly in the hole.
9. Insert the threaded end of the pipe into the flat side of the ball.
10. Align the cutouts in the ball with the pin and the ground screw assembly.
11. Slide the ball up the pipe until it hits the pin.
12. Insert and tighten the positioning screw into the ball so that the head of the screw is tight on the end of the pipe.

⚠ CAUTION

Make sure that the leadwire assembly is pointing straight up and away from the pipe.

⚠ WARNING

- **To avoid possible electrical shock, the ground screw must be tightened securely.**

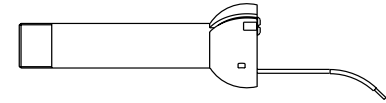


Figure 3c - 12" pipe assembly

⚠ CAUTION

Do not overtighten the positioning screw as it may cause the ball to seat improperly, resulting in fan wobble and the fan hanging crookedly.

⚠ WARNING

- **Failure to complete the steps above properly could result in the fan falling.**



STEP 4 - ASSEMBLING THE FAN

Use the Step 4 instructions for the type of mounting you have selected: standard, angle, or flush.

STANDARD AND ANGLE MOUNTING

For Standard 8-foot Ceilings and Higher

1. Insert the pipe through the canopy as shown in Figure 4a.

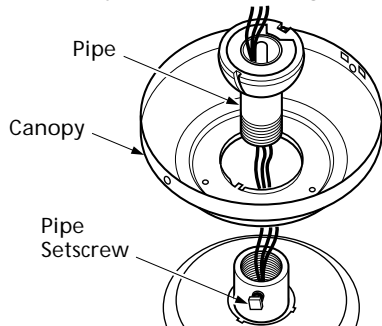


Figure 4a - Inserting Pipe through Canopy

Feed wires from the fan through the canopy then through the pipe.

2. Screw pipe into fan assembly until tight. **IMPORTANT!** Tighten pipe setscrew as shown in Figure 4a.

CAUTION

The pipe has a special coating on the threads. Do not remove this coating; the coating prevents the pipe from unscrewing. Once assembled, do not remove the pipe.

FLUSH MOUNTING

For Low Ceilings

1. Tighten or remove pipe setscrew. Fit the canopy over the hanger

adapter as shown in Figure 4b. Make sure the canopy fits snugly against the fan assembly with no space between the pieces.

2. You will find a large assembly washer included with the fan. Place the washer over the adapter and canopy as shown in Figure 4b.

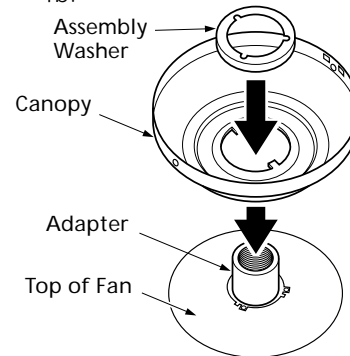


Figure 4b - Placing Canopy and Washer Over Adapter

3. Position the slots in the assembly washer over the threaded holes in the adapter as shown in Figure 4c.

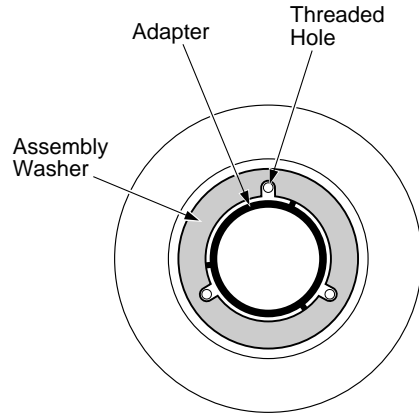


Figure 4c - Positioning Assembly Washer Slots over Threaded Holes

4. Attach the canopy tightly to the fan assembly with three #8-32 assembly screws and lockwashers as shown in Figure 4d.

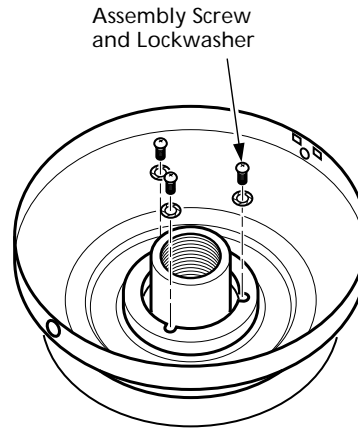


Figure 4d - Attaching Canopy to Fan Assembly



STEP 5 - HANGING THE FAN

1. Disconnect the power by turning off the circuit breakers to the outlet box and associated wall switch location.
2. Tilt and hang the assembled fan from the ceiling plate hooks. Slip two rectangular canopy slots over ceiling plate hooks as shown in Figures 5a and 5b.

Note: To hang the fan you must tilt the canopy to an almost vertical position so the canopy slots come down over the ceiling plate hooks.

If you are installing the remote continue to STEP 6, INSTALLING THE REMOTE, otherwise skip to STEP 7, WIRING THE FAN, on page 18.

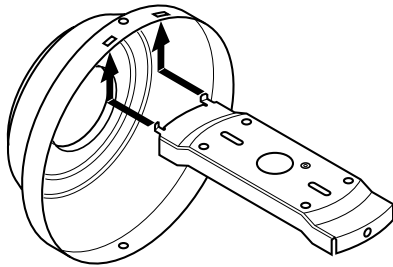


Figure 5a - Attaching Slots on Canopy to Ceiling Plate Hooks

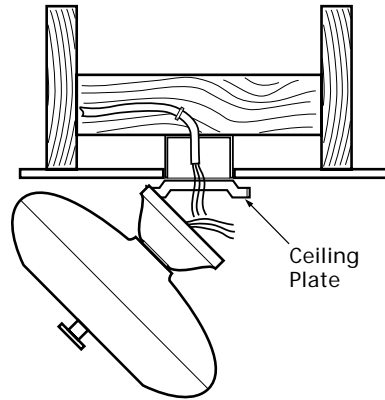


Figure 5b - Assembled Fan Hanging from Ceiling Plate Hooks

STEP 6 - INSTALLING THE REMOTE

Remote Model #: UC7067RC

Ratings: 120 VAC, 60 Hz, 1.0 Amp Fan
250 Watts incandescent light

WARNINGS

- To avoid possible electrical shock, before installing the remote, be sure that all power is disconnected by turning off the circuit breakers to the outlet box.
- All wiring must be performed in accordance with national and local electrical codes. If you are unfamiliar with the wiring codes, you should use a qualified electrician.
- To avoid overheating and possible damage to other equipment, do not install to control a receptacle,

fluorescent light fixture, motor operated appliance, or transformer-supplied appliance. Use only to control one paddle-blade ceiling fan and incandescent light fixture.

Note: This device complies with Part 15 of the FCC Rules. Operation is subject to the following two conditions: (1) this device may not cause harmful interference, and (2) this device must accept any interference received, including interference that may cause undesired operation.

SETTING UP THE TRANSMITTER

1. Remove the battery cover from the transmitter by pressing down on the arrow and sliding the cover off. Refer to Figure 6a.

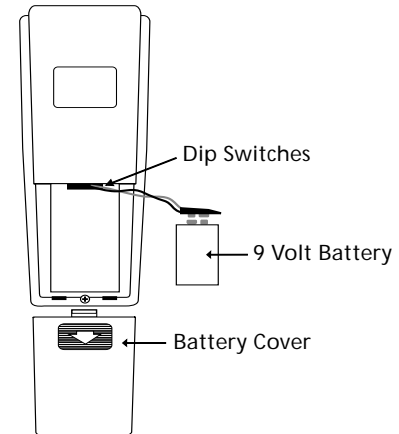


Figure 6a - Setting the Code on the Transmitter

continued



- Slide the dip switches to the desired on/off position using a ball-point pen or small-head screwdriver. Remember the on/off position of the switches for use when setting up the receiver.

Note: Be sure to change the factory default switch settings to your own unique code.

- Install a 9 volt battery (not included). Refer to Figure 6a on page 15.

Note: To prevent damage to the transmitter, remove the battery if it is not used for long periods of time.

- Replace the battery cover on the transmitter.
- Mount the remote holder using the two screws provided with the remote kit. Slide out center piece on the holder to see screw holes.

Replace center piece after mounting to wall. Refer to Figure 6b.

- The transmitter can be placed on the remote holder for convenience or safe-keeping.

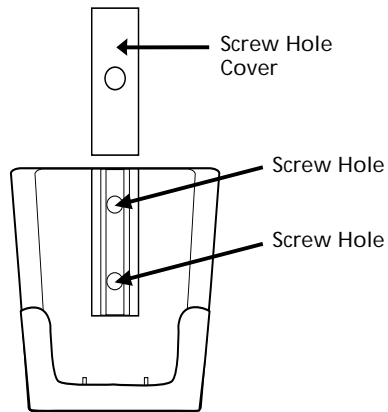


Figure 6b - Mounting the Remote Holder

INSTALLING THE RECEIVER

- Slide the dip switches to the same on/off position as the transmitter using a ball-point pen or small-head screwdriver. Refer to Figure 6c.

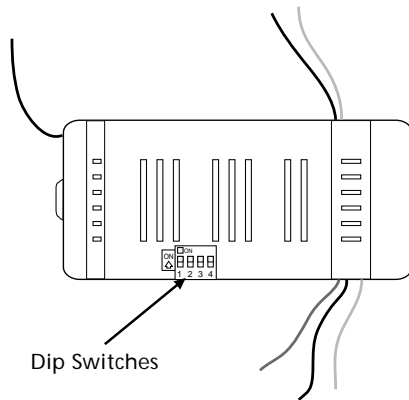


Figure 6c - Setting the Code on the Receiver

2. Make wiring connections using the wire nuts supplied. To connect the wires, place bare metal leads together, place a wire nut over the intertwined length of wire and twist clockwise until tight as shown. Refer to Figure 6d.
3. Place receiver inside the canopy under the ceiling plate. Refer to Figure 6e. Be sure to keep the antenna positioned securely on top of the receiver. Do not modify or damage the antenna wire, as control performance may be reduced.

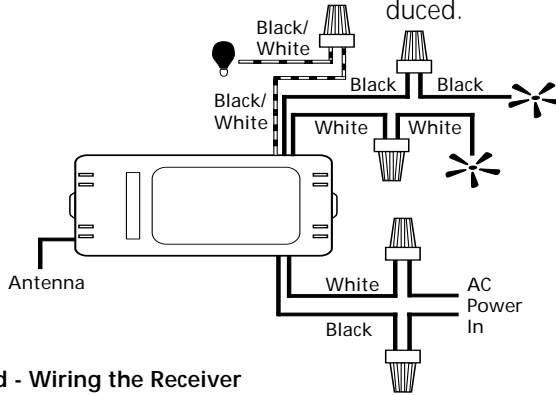


Figure 6d - Wiring the Receiver

Connect	To
Green wire from fan	Bare ground wire
Black wire from receiver	Black supply wire
White wire from receiver	White supply wire
White wire from receiver	White wire from fan
Black wire from receiver	Black wire from fan
Black/White wire from receiver	Black/White wire from light

- Note:** For optimal performance, the antenna should extend outside the canopy.
4. Continue to STEP 8, HANGING THE FAN, on page 20.

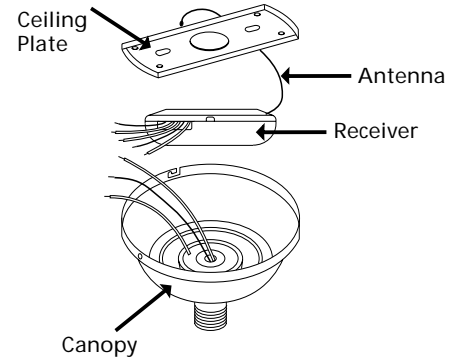


Figure 6e - Positioning the Receiver Inside of the Canopy

⚠ WARNING

Once receiver is installed and power is turned back on, DO NOT pull the fan or light chains while power is connected.



STEP 7 - WIRING THE FAN

1. You can use either one or two wall switches to control the fan and/or lights separately. Use connection 1 on page 19 to
 - control the light with a wall switch and the fan with a chain pull (one wall switch required)
 - control the light with a chain pull and the fan with a wall switch (one wall switch required)
 - control the light with one wall switch and the fan with another (two wall switches required)
2. Connect the wires as shown in Figure 7a. To connect the wires, place the bare metal leads together. Place a wire nut over the intertwined length of wire and twist clockwise until tight as shown.
3. Separate the connected wires by placing the green and white wires on one side of the outlet box and the black and the black/white wires on the other side of the outlet box.
4. Turn the connectors upward. Push the wires gently into the outlet box.

Use connection 2 on page 19 if there is no separate wall switch power wire for the light fixture.

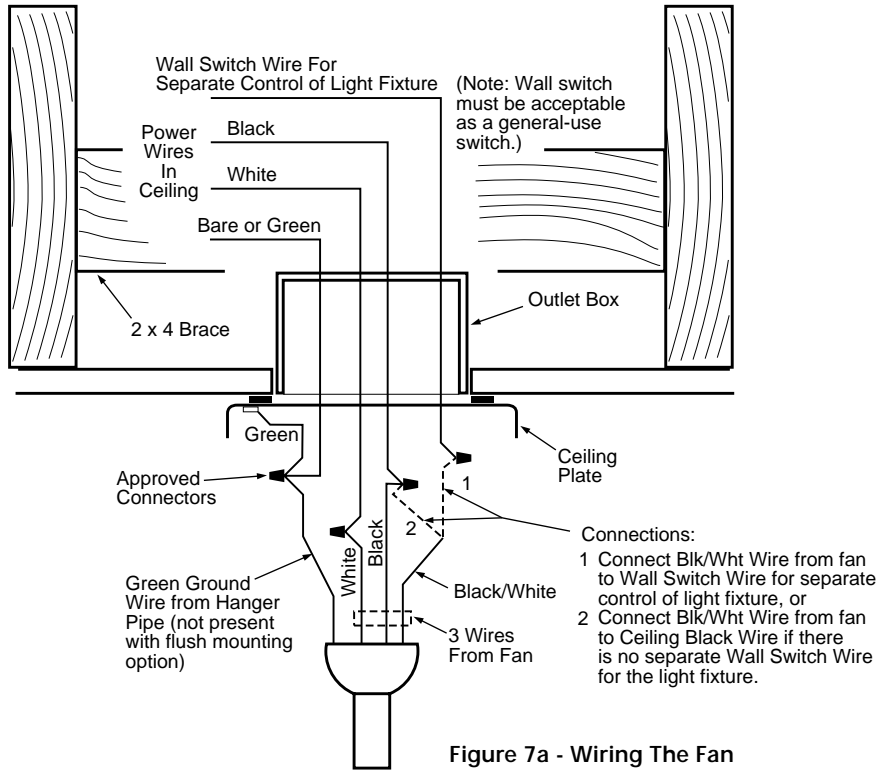
Note: Wall switches not included.

CAUTION

Be sure no bare wire or wire strands are visible after making connections.

continued

41457-01 7/2000





STEP 8 - ATTACHING THE CANOPY

Sub-steps 1 and 2 apply to Flush, Standard, and Angle mounting. Sub-step 3 applies to Standard and Angle mounting only.

1. Swing the fan up so as to align the canopy screw holes with the mounting holes on the ceiling plate. Refer to Figure 8a.

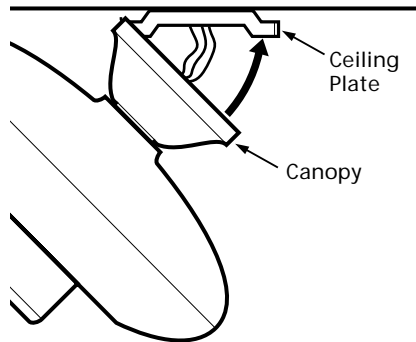


Figure 8a - Attaching Canopy to Ceiling Plate

2. Install and tighten the two #10-32 x 1/2" mounting screws.
3. **For Standard and Angle Mounting Only:** In addition to sub-steps 1 and 2, lift the fan housing towards the ceiling and rotate the fan until each canopy tab engages a groove in the hanger ball as shown in Figure 8b.

Note: If the tabs are already engaged, do not rotate.

⚠ WARNING

Failure to complete sub-steps 1 through 3 could cause fan to fall. (Sub-step 3 not applicable for flush mounting.)

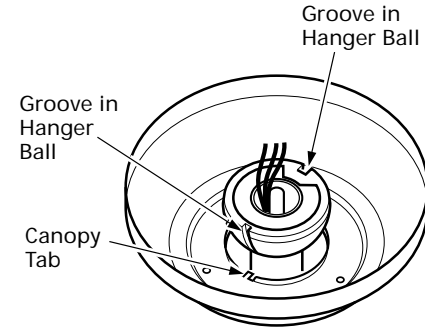


Figure 8b - Canopy Tabs and Grooves in Hanger Ball

STEP 9 - ASSEMBLING FAN BLADES

Hunter fans use several styles of fan blade irons (brackets that hold the blade to the fan).

1. Your fan may include blade grommets (see Parts List). If your fan has grommets, insert them by hand into the holes as shown in Figure 9a.
2. Attach each blade to blade iron using three blade assembly screws as shown in Figure 9b. Some fans

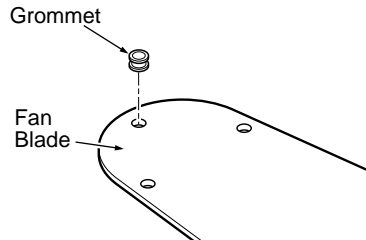


Figure 9a - Inserting Grommet into Fan Blade

feature a decorative medallion as well as a blade iron. Insert the assembly screws into the blade iron, through the blade and into the medallion, with the blade sandwiched between the blade iron and medallion as shown in Figure 9c.

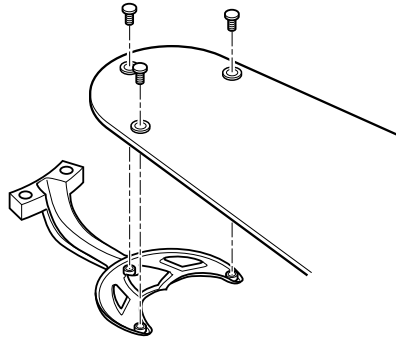


Figure 9b - Attaching Fan Blade to Blade Iron

If you used grommets, the blades may appear slightly loose after screws are tightened. This is normal.

3. Remove the blade mounting screws and rubber shipping bumpers from the motor.

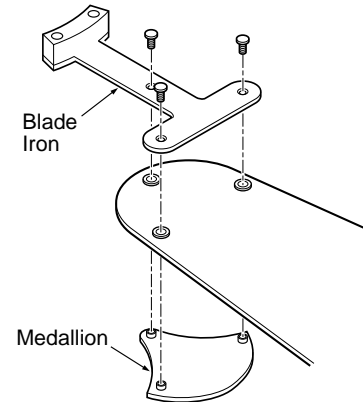


Figure 9c - Attaching Fan Blade to Blade Iron using Decorative Medallion



4. For each blade, insert one blade mounting screw through the blade iron as shown in Figure 9d, and attach lightly to the fan. Insert the second blade mounting screw, then securely tighten both mounting screws.

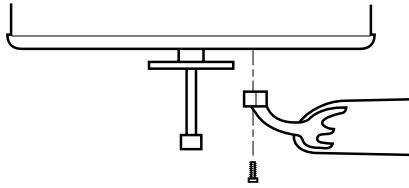


Figure 9d - Attaching Blade Irons to Hub of Fan Assembly

STEP 10 - ATTACHING THE SWITCH HOUSING

The switch housing is made up of two sections: the upper switch housing, and the lower switch housing.

ATTACHING THE UPPER SWITCH HOUSING

1. Partially install two #6-32 x 3/8" housing assembly screws into the switch housing mounting plate as shown in Figure 10a.

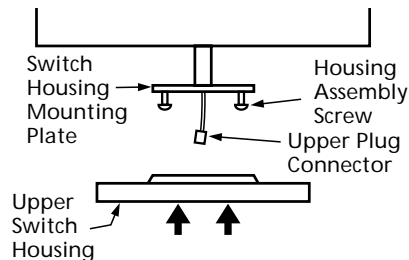


Figure 10a - Attaching Upper Switch Housing to Switch Housing Mounting Plate

2. Feed the upper plug connector through the center opening of the upper switch housing. See Figure 10a.
3. Align the keyhole slots in the upper switch housing with the housing assembly screws installed in sub-step 1.
4. Turn the upper switch housing counterclockwise until the housing assembly screws are firmly situated in the narrow end of the keyhole slots as shown in Figure 10b. Install the one remaining #6-32 x 3/8" housing assembly screw into the third hole in the upper switch housing. Tighten all three screws firmly.

⚠ CAUTION

Make sure the upper switch housing is securely attached to the switch housing mounting plate. Failure to properly attach and tighten all three housing assembly screws could result in the switch housing and light fixture falling.

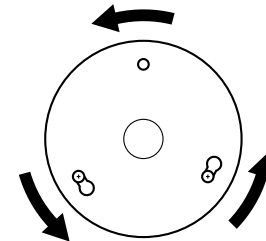


Figure 10b - Mounting the Upper Switch Housing



ATTACHING THE LOWER SWITCH HOUSING

Your hunter fan includes one of two lower switch housings. Both lower switch housings are shown in Figures 10c and 10d. The type of lower switch housing you have depends on whether your fan includes a light fixture, and if so, what type of light fixture it is. Use table 10-1 to assist you.

If your fan has a lower switch housing as shown in Figure 10c, and you ARE installing an accessory light kit or single-globe light fixture included with your fan, go directly to STEP 11 - INSTALLING LIGHT FIXTURE.

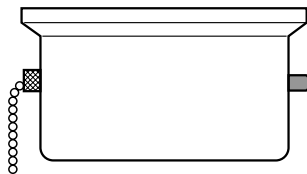


Figure 10c - Lower Switch Housing Without Light Kit or Single-Globe Light Fixture

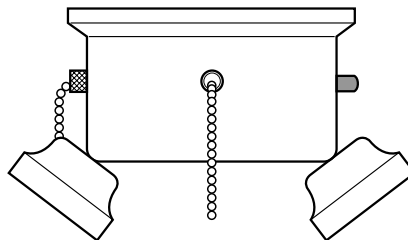


Figure 10d - Lower Switch Housing With Multi-Light Fixture

Table 10-1

Fan with no light fixture included	See Figure 10c
Fan with accessory light kit included	See Figure 10c
Fan with multi-light light fixture included	See Figure 10d

continued

41457-01 7/2000

If your fan has a lower switch housing as shown in Figure 10c and you ARE NOT installing a light fixture, or if your fan has a lower switch housing as shown in Figure 10d, complete the following steps:

1. Connect the upper plug connector from the motor to the lower plug connector in the lower switch housing assembly. See Figure 10e.

Note: Both plug connectors are polarized and will only fit together one way. Make sure that both connectors are properly aligned before connecting them together. Incorrect connection could cause improper operation and damage to the product.

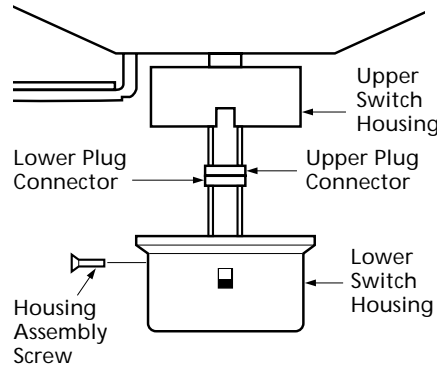


Figure 10e - Plug Connection and Lower Switch Housing Installation

2. Place the lower switch housing assembly over the upper switch housing. Align the side screw holes in the upper and lower switch housings. Attach the lower switch housing to the upper switch housing with three #6-32 x 3/8" housing assembly screws. See Figure 10e.

Note: If your fan does not include a light fixture, you may purchase an accessory light kit separately. See STEP 11 - INSTALLING LIGHT FIXTURE.



STEP 11 - INSTALLING LIGHT FIXTURE

Your fan may include a light fixture. Information for wiring and installing all included Hunter light fixtures follows.

Note: If you purchased a fan without a light fixture, you may purchase an accessory light kit separately. For best performance and beauty, use only Hunter-brand light kits, Type A-Z. Hunter light kits are designed, tested, and UL approved for all Hunter fans, and are available at most Hunter dealers. To install the light kit, follow the instructions included with the kit.

If you are not installing a light fixture, turn to OPERATING YOUR HUNTER FAN for additional instructions.

WARNING

- **To avoid possible electrical shock, before installing light fixtures, disconnect power by turning off the circuit breakers both to the outlet box and to its associated wall switch location. If you cannot lock the circuit breakers in the off position, securely fasten a prominent warning device, such as a tag, to the service panel.**
- **Connect house wiring to the fan before attaching the light fixture to the fan.**
- **All wiring must be in accordance with national and local electrical codes and ANSI/NFPA 70. If you are unfamiliar with wiring, you should use a qualified electrician.**

INSTALLING INCLUDED ACCESSORY LIGHT KIT

1. Remove the plug and switch housing caps from the lower switch housing. Refer to Figure 11a.

Note: Do not discard the caps. You will need this if you remove the light fixture in the future.

2. Locate the white wire and the black wire coming from the light fixture.
3. Thread the two wires from the light fixture through the center hole in the lower switch housing. Be sure to thread the black wire with the larger connector head through first and then thread the white wire with the smaller connector head through.

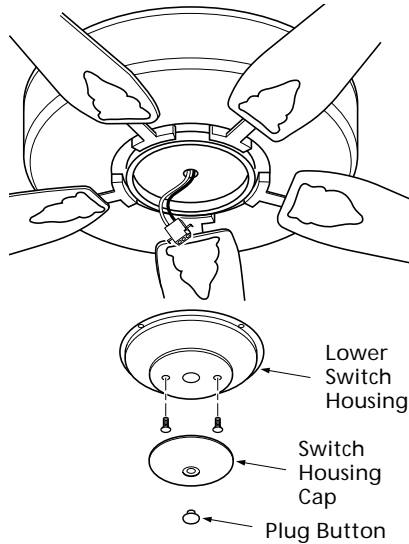


Figure 11a - Removing Plug Button and Switch Housing Cap

4. Screw the fixture into the lower switch housing. Thread the lockwasher and nut provided over

the wires. Making sure the light fixture mounting screw holes are aligned; hold the light fixture and tighten the nut on the inside of the lower switch housing. Insert and tighten the two #6-32 sems light fixture mounting screws.

5. Refer to Figure 11b. Locate the black/white wire and the white wire in the fan switch housing that have connectors attached. Pull the dummy terminals out of both connectors. Connect the black/white wire to the black wire of the light kit. Connect the white

⚠ CAUTION
Be sure no bare wire or wire strands are visible after making connections.

wire to the white wire of the light kit.

6. Connect the upper plug connector from the motor to the lower plug connector in the lower switch housing assembly. See Figure 10e on page 25.

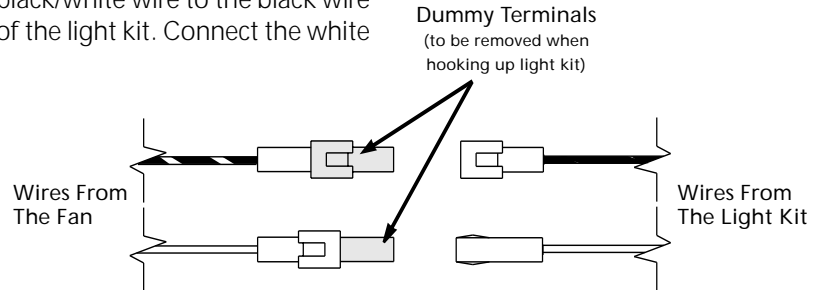


Figure 11b - Wiring Connections for Light Kit

continued



Note: Both plug connectors are polarized and will only fit together one way. Make sure that both connectors are properly aligned before connecting them together. Incorrect connection could cause improper operation and damage to the product.

7. Place the lower switch housing assembly over the upper switch housing. Align the side screw holes in the upper and lower switch housings. Attach the lower switch housing to the upper switch housing with three #6-32 x 3/8" housing assembly screws. See Figure 10e on page 25.

INSTALLING INCLUDED ACCESSORY LIGHT FIXTURE GLOBES AND BULBS

1. Place globe over threaded lampholder in cup. Install and hand tighten threaded locking ring on lampholder as shown in Figures 11c and 11d.
2. Install bulbs. Use 120V, 60W maximum medium base incandescent bulbs. Turn power ON at main panel.

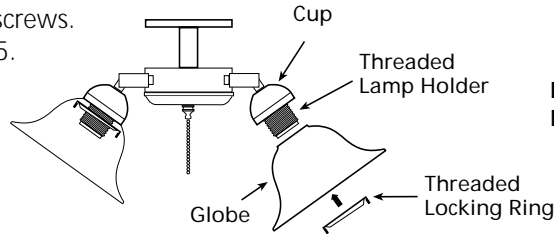


Figure 11c - Installing the Globes

Note: As shown in Figure 11d, line up the beginning of the first thread on the lampholder and notch on the locking ring to avoid cross threading the ring. If the ring becomes hard to turn, rotate the ring counter clockwise to loosen and reposition. Do not force the ring on.

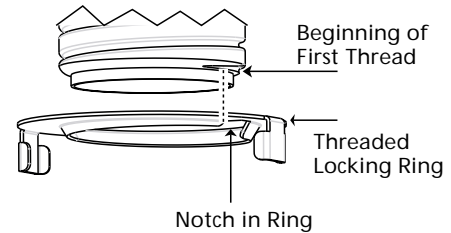


Figure 11d - Assembling the Locking Ring

INSTALLING SINGLE-GLOBE FIXTURE BULB AND GLOBE

Refer to Figure 11e.

1. Install light bulbs.
2. Insert the globe around the bulb and into the fixture. Install and tighten thumbscrews manually. Do not overtighten.

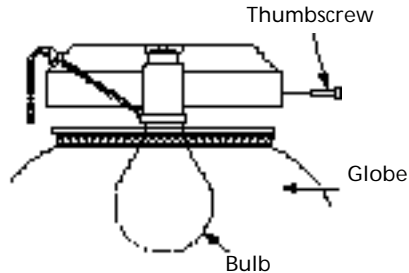


Figure 11e - Single-Globe Fixture

INSTALLING INTEGRATED MULTI- LIGHT FIXTURE BULBS AND GLOBES

Refer to Figure 11f.

1. Place silencer band around the neck of each globe.
2. Insert globe in cup.
3. Install and tighten thumbscrews manually. Do not overtighten.
4. Install bulbs.

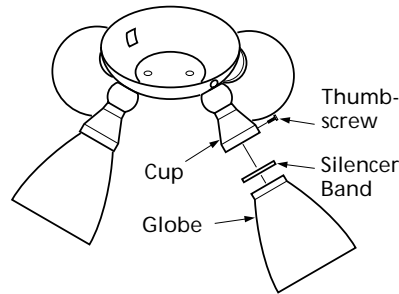


Figure 11f - Multi-Light Fixture

INSTALLING ACCESSORY LIGHT KITS

To install the light kit, follow the instructions included with the kit for wiring, mounting, and assembly. After completing the light kit installation, follow sub-steps 1 and 2 on page 23 to reattach the lower switch housing.



OPERATING YOUR HUNTER FAN AND REMOTE

Your Hunter Fan comes with an accessory pull chain pendant for both fan and light operation. To install the pull chain pendants, insert the loose end of the pull chain pendant into the breakaway connector on the fan and light pull chains.

OPERATING YOUR HUNTER FAN WITHOUT REMOTE

1. Turn on electrical power to the fan.
2. The pull chain controls power to the fan. The chain has four settings in sequence: High, Medium, Low and Off.
 - Pull the chain slowly to change settings.
 - Release slowly to prevent the chain from recoiling into the blades.

- The chain uses a breakaway connector that separates if the chain is jerked. If this happens, simply reinsert the chain into the connector.
3. Ceiling fans work best by blowing air downward (counterclockwise blade rotation) in warm weather to cool the room with a

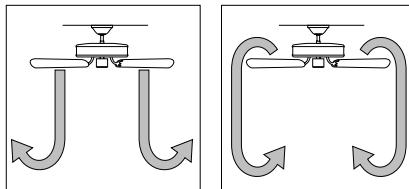


Figure 12a - Air Flow Patterns

direct breeze. In winter, having the fan draw air upward (clockwise blade rotation) will distribute the warmer air trapped at the ceiling around the room without

causing a draft. Refer to Figure 12a.

To change the direction of air flow, turn the fan off and let it come to a complete stop. Slide the reversing switch on the fan to the opposite position as shown in Figure 12b. Restart fan.

4. If your fan wobbles when operating, use the enclosed balancing kit and instructions to balance the fan.

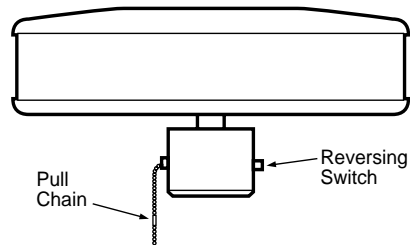


Figure 12b - Pull Chain and Reversing Switch

OPERATING YOUR HUNTER FAN WITH A REMOTE

WARNING

Once receiver is installed and power is turned back on, **DO NOT** pull the fan or light chains while power is connected.

Refer to steps 1, 3, and 4 in the OPERATING YOUR HUNTER FAN WITHOUT A REMOTE. Use the following steps to operate your remote.

1. Turn ON the wall switch. The light will turn ON at maximum brightness.
2. **Light Operation:**

Press and quickly release the light button on the hand held remote to turn the light OFF or ON.

Press and hold the light button for more than 0.7 second to dim or

brighten the light. Release the light button when the desired light level is reached. The light dimmer range is 20% to 100%. The Light key has auto resume, so the brightness will stay the same as the last time it was turned OFF. Refer to Figure 12c.

3. **Fan Operation:**

Press the fan button to turn ON the ceiling fan at High speed. Press again to change the speed to Medium, then again to Low, and then again to turn the fan OFF. Refer to Figure 12c.

Note: If fan is not reaching desired speed or light does not come on, refer to the TROUBLESHOOTING section.

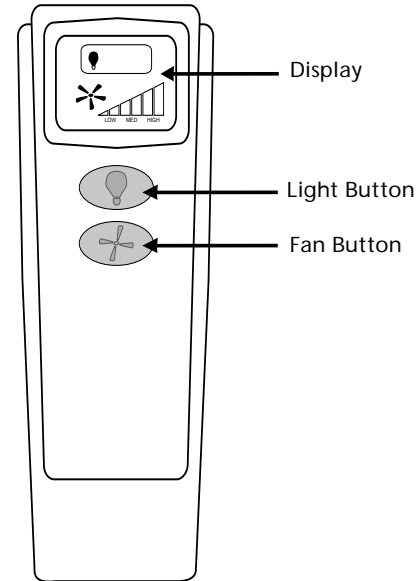


Figure 12c - Remote Transmitter



CLEANING AND MAINTENANCE

Caring for finishes: For cleaning, a soft brush or lint-free cloth should be used to prevent scratching the finish. A vacuum cleaner brush nozzle can remove heavier dust. Surface smudges or an accumulation of dirt and dust can easily be removed by using a mild detergent and a slightly dampened cloth. An artistic agent may be used, but never use abrasive cleaning agents as they will damage the finish.

Caring for blades: Wood finish blades should be cleaned with a furniture polishing cloth. Occasionally, a light coat of furniture polish may be applied for added protection and beauty. Painted and high-gloss blades may be cleaned in the same manner as the fan finish.

MANUFACTURER'S PHONE NUMBER

If you need parts or service assistance, please call 901-248-2222 or visit us at our WEB site at:

<http://www.hunterfan.com>



TROUBLESHOOTING

PROBLEM

Nothing happens; fan does not move. Without Remote (refer to page 35 for troubleshooting With Remote).

PROBABLE CAUSE

1. Power turned off, fuse blown, or circuit breaker tripped.
2. Loose wire connections or wrong connections.
3. Motor reversing switch not engaged.
4. Pull chain switch not "on."
5. Shipping bumpers still in place.

SOLUTION

1. Turn power on, replace fuse, or re-set breaker.
- 2a. Loosen canopy, check all connections according to STEP 7 - WIRING THE FAN (**turn power off before checking**).
- 2b. Check the plug connection in the switch housing according to STEP 10 - ATTACHING THE SWITCH HOUSING.
3. Push switch firmly up or down.
4. Pull switch chain.
5. Remove shipping bumpers.

Noisy operation.

1. Blade brackets screwed loosely to motor.
2. Blade screwed loosely to blade iron.
3. Blade cracked.

1. Tighten screws until snug.
2. Tighten screws until snug.
3. Replace all blades.

continued



PROBLEM

Noisy operation (continued).

PROBABLE CAUSE

4. Using non-approved speed control.
5. Glass screwed loosely to fixture.

6. Switch housing is loose.

SOLUTION

4. Change to approved speed control.
 5. Hand-tighten the light fixture screws. Ensure that rubber noise isolators are installed.

 6. Check and tighten screws to the switch housing mounting plate and to the upper and lower switch housing.
-

Excessive wobbling.

Note: When switching from medium to low speed, you may notice some fan wobble. When the fan stabilizes at low speed, wobble will disappear.

1. Unbalanced blades.
2. Loose blades or blade irons.
3. Fan not secure on hanger assembly.

4. Fan hanger ball not seated in canopy tabs.

1. Use balancing kit included with fan.
2. Tighten all screws.
3. Turn power off, support fan very carefully, loosen canopy and hang correctly.
4. Turn power off, support the fan very carefully, and check that the hanger ball is properly seated.

If you have tried these troubleshooting solutions and still have trouble, call 901-248-2222 or visit our Web site at <http://www.hunterfan.com>.

continued

41457-01 7/2000



PROBLEM

No functions operate or do not operate correctly. (With Remote)

PROBABLE CAUSE

1. Main Power not restored.
2. Fan pull chain not set to High.
3. Light pull chain not set to ON.
4. Receiver wiring incorrect.
5. Transmitter and receiver dip switches do not match.
6. Battery too weak.

SOLUTION

1. Replace fuse. Turn ON circuit breaker. Turn ON wall switch.
2. Turn OFF power at wall switch or main electric panel. Set fan to High speed.
3. Set light kit to ON.
4. Verify wiring connections.
5. Set transmitter and receiver to same dip switch setting.
6. Replace with new battery.

Operates only at close range. (With Remote)

1. Signal blocked from reaching receiver.
2. Battery too weak.

1. Extend antenna into ceiling box, or move it for better reception.
2. Replace with new battery.

Inconsistent operation. (With Remote)

1. Signal partially blocked from reaching receiver.
2. RF interference.
3. Continuing RF interference.

1. Extend antenna into ceiling box, or move it for better reception.
2. Turn OFF wall switch for 5 seconds, then turn back ON.
3. Change dip switch settings to a different code in both Transmitter and Receiver.